



WH PT ATEX Push Trolley

Complies with the requirements of ATEX Directive 2014 / 34 / EU and Machinery Directive 2006 / 42 / EC

The William Hackett ATEX Push Trolleys meet and exceed the requirements of the following international standards:
British Standard BS EN 13157:2004 + A1:2009.

This high quality trolley range is precision engineered in WLL capacities from 500kg to 2 tonnes.

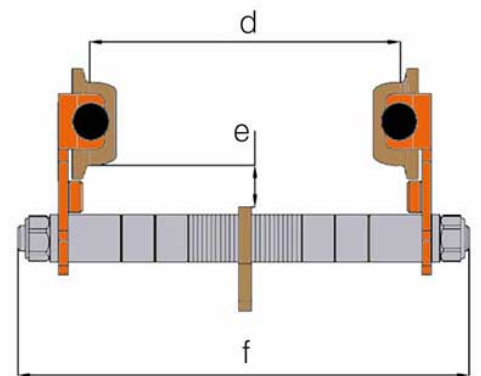
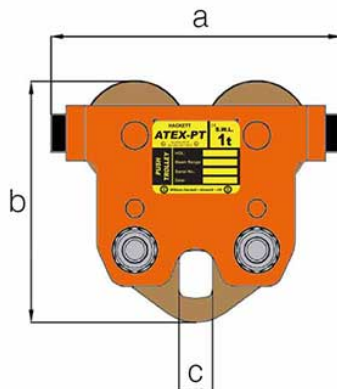
Enabling exact positioning or easy traversing of large loads incorporating manual hoists, the William Hackett series push trolley can be supplied to suit various track widths within the standard beam range 1 and the extended beam range 2.

The runners (trolley wheels) are precision machined and they rotate on maintenance sealed ball bearings.

All William Hackett push trolleys are fitted with anti-jump bars and rubber end stops as standard. They are also fitted with solid bronze wheels and have a copper plated hanging plate. Other sizes are available upon request.



Specifications



Part Code	WLL t	Min.radius of Curve m	a mm	b mm	c mm	e mm
044.ATEX.050	0.50	0.8	190	154	22	27

044.ATEX.100	1.00	0.9	206	180	30	26
044.ATEX.200	2.00	1.0	246	210	37	26


Standard Range 1

WLL t	I Beam Width mm	d Max. width mm	f Max. mm	Mass kg
0.50	50-203	203	294	6.60
1.00	64-203	203	311	9.40
2.00	88-203	203	324	14.50

Extended Range 2

WLL t	I Beam Width mm	d Max. width mm	f Max. mm	Mass kg
0.50	-	-	-	-
1.00	64-305	305	413	11.10
2.00	88-305	305	426	16.30

Ex II 2 GD c IIC T4 IIIC T135°C

II	2	GD	c	IIC	T4	IIIC	T135°C		
								T135°C	Dust Temperature Class: Maximum external surface temperature 135°C
								IIIC	Groups of Dust: Protected for group IIIC which includes groups IIIA & IIIB
								T4	Gas Temperature Class: Maximum external surface temperature 135°C
								IIC	Gas Explosion Group: Protected for group IIC which includes groups IIA & IIB
								c	Protection type: Design safety
								GD	Ex Atmosphere: Gas and Dust
								2	Category: High Safety
II	Equipment Group: surface industries								



William Hackett

William Hackett Lifting Products Ltd Oak Drive, Lionheart Enterprise Park, Alnwick, Northumberland NE66 2EU
 Email: liftingsales@williamhackett.co.uk Tel: +44 (0)1665 604200 Fax: +44 (0)1665 604204

