

# NUTLOX<sup>X</sup>

BACKUP  
WRENCHES

TorsionX Nutlox backup wrenches are designed and manufactured to prevent hex nuts from rotating while applying torque. Nutlox backup wrenches can be utilized while loosening hex nuts.

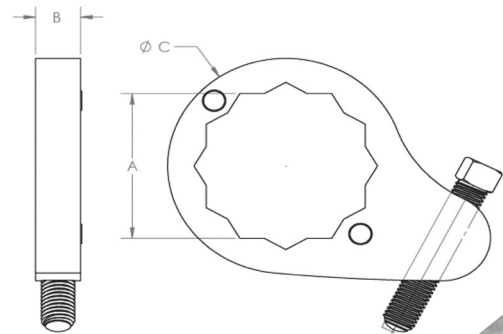
- Imperial and metric size
- Easy installation and easy removal
- Hands free
- Heavy duty magnets keep backup wrenches secure on applications



## NUTLOX SPECIFICATIONS

Model	Hex Size in Inches	Hex Size in Millimeters	Thickness (B)	OD (C)
NUTLOX-104	1.1/4"	32mm	1.00"	1.89"
NUTLOX-107	1.7/16"	36mm	1.00"	2.18"
NUTLOX-110	1.5/8"	41mm	1.00"	2.46"
NUTLOX-113	1.13/16"	46mm	1.00"	2.7"
NUTLOX-200	2"	50mm	1.00"	3.03"
NUTLOX-203	2.3/16"	55mm	1.00"	3.31"
NUTLOX-206	2.3/8"	60mm	1.00"	3.60"
NUTLOX-209	2.9/16"	65mm	1.00"	3.88"
NUTLOX-212	2.3/4"	70mm	1.00"	4.16"
NUTLOX-215	2.15/16"	75mm	1.00"	4.50"
NUTLOX-302	3.1/8"	80mm	1.00"	4.73"
NUTLOX-308	3.1/2"	90mm	1.00"	5.30"
NUTLOX-314	3.7/8"	100mm	1.00"	5.87"

Additional sizes available upon request — please contact TorsionX



For more information visit  
**TorsionX.com**

